

EMMEBI

Collection ATLANTE

Atlante is a system which offers above all the possibility to be used for all kind of projects and to be made in custom size for every kind of available space.

Atlante can be adapted to every environment since it can have many different looks depending from the room where you put it and from its use: the doors can be very simple, with linear and essential design, but changing the finishing, the covering or the model they can be characterized by a stronger aesthetic impact, influencing also the surrounding.

The structure of this wardrobe gives the idea of solidity thanks to the 4 cm thickness of all the sides and its internal fitting offers a wide range of possibilities in order to recreate the best solution according to everyone's needs.

Atlante is available with hinged and sliding doors.

For hinged doors there are six models available:

SEVENTY: characterized by a flush handle which is always in the same finish of the door giving a perfect homogenous surface to the doors

CLIP: characterized by an aluminum handle

SHEER: a unique door with an handle that is not visible from outside since it is created within the thickness of the door, its linearity and plain design allow to use it in every contest

WIND: with burnished profiles and transparent, bronze or smoked glass, smoked or bronze stopsol glass

CHARME: door characterized by a special handle composed by two parts, one in metal (bronze or graphite) and one that can be in wood, lacquered, hard leather or leather

FLORES : door with an important long metal handle titanium or bronze colour as the profile put along the thickness of the door

Door SEVENTY "Plain" : mat lacquered in our selected colours, mat by sample, veneer wengè, black walnut, smoked oak, grey oak, natural oak, ash stained beige/grey and eucalyptus

SEVENTY "Mirror" : panel in natural, smoked or bronze mirror – aluminum profile on the doors' thickness

SEVENTY "Glossy Glass" : panel in lacquered glass in our selected colours – aluminium profile on the doors' thickness



design Pietro Arosio

Door CLIP "Plain" : mat lacquered in our selected colours, mat by sample, veneer wengè, black walnut, smoked oak, grey oak, natural oak, ash stained beige/grey and eucalyptus

CLIP "Mirror" : panel in natural, bronze or smoked mirror – aluminum profile on the doors' thickness

CLIP "Glossy Glass" : panel in lacquered glass in our selected colours – aluminium profile on the doors' thickness

CLIP "Hard leather or regenerated leather" : covered with regenerated hard leather available in 5 colours (white, sand, toupe, dark brown and black) or with regenerated leather available in 5 colours (cream, sand, beige, talpa, brown) – stitching can be in the same colour or in a contrasting one. Upon request also available with cristal leather or nabuk



design Pietro Arosio

Door SHEER "Plain" : mat lacquered in our selected colours, mat by sample, veneer wengè, black walnut, smoked oak, grey oak, natural oak, ash stained beige/grey and eucalyptus

SHEER "Mirror" : panel in natural , bronze or smoked mirror - profile mat lacquered in our selected colours or mat by sample

SHEER "Fabric" : panel covered with client's fabric - profile mat lacquered in our selected colours or mat by sample



SHEER "Glossy Glass" : panel in glass, lacquered in our selected colours - profile mat lacquered in our selected colours or mat by sample

design Pietro Arosio

Door WIND : burnished handle and profiles, transparent, bronze or smoked glass, bronze or smoked stopsol glass



design Pietro Arosio

Door CHARME "Plain": mat lacquered in our selected colours, mat by sample, veneer wengè, black walnut, smoked oak, grey oak, natural oak, ash stained beige/grey and eucalyptus

CHARME "Hard leather" or "regenerated leather" : covered with regenerated hard leather available in 5 colours (white, sand, toupe, dark brown and black) or or with regenerated leather available in 5 colours (cream, sand, beige, talpa, brown) – stitching can be in the same colour or in a contrasting one. Upon request also available with cristal leather or nabuk



design: Pierangelo Sciuto

Door FLORES "Plain": mat lacquered in our selected colours, mat by sample, veneer wengè, black walnut, smoked oak, grey oak, natural oak, ash stained beige/grey, eucalyptus

FLORES "natural mirror" : metal profile along the thickness titanium or bronze colour, mirror panel, internal finish of the doors mat lacquered in our selected colours, veneer wengè, black walnut, smoked oak, grey oak, natural oak, ash stained beige/grey, eucalyptus

FLORES "regenerated leather": covered with regenerated leather available in 5 colours (cream, sand, beige, talpa, brown), metal profile along the thickness titanium or bronze colour, internal finish of the doors mat lacquered in our selected colours, veneer wengè, black walnut, smoked oak, grey oak, natural oak, ash stained beige/grey, eucalyptus. Upon request also available with cristal leather or nabuk



The door Flores when covered with hard leather or regenerated leather is slightly padded, it has a stitching at about half height which enhances the material and the manufacturing

design: Pierangelo Sciuto

For sliding doors, two models are available:

SHEER: a unique door with an handle that is not visible from outside since it is created within the thickness of the door, its linearity and plain design allow to use it in every contest

WIND: with burnished profiles and transparent, bronze or smoked glass (upon request it is possible to have also stopsol glass)

Door SHEER "Plain" : mat lacquered in our selected colours, mat by sample, veneer wengè, black walnut, smoked oak, grey oak, natural oak, ash stained beige/grey and eucalyptus

SHEER "Mirror" : panel in natural, bronze or smoked mirror - profile mat lacquered in our selected colours or mat by sample

SHEER "Fabric" : panel covered with client's fabric - profile mat lacquered in our selected colours or mat by sample

SHEER "Glossy Glass" : panel in glass, lacquered in our selected colours - profile mat lacquered in our selected colours or mat by sample



design: Pietro Arosio

Door WIND : burnished handle and profiles, transparent, bronze or smoked glass, bronze or smoked stopsol glass



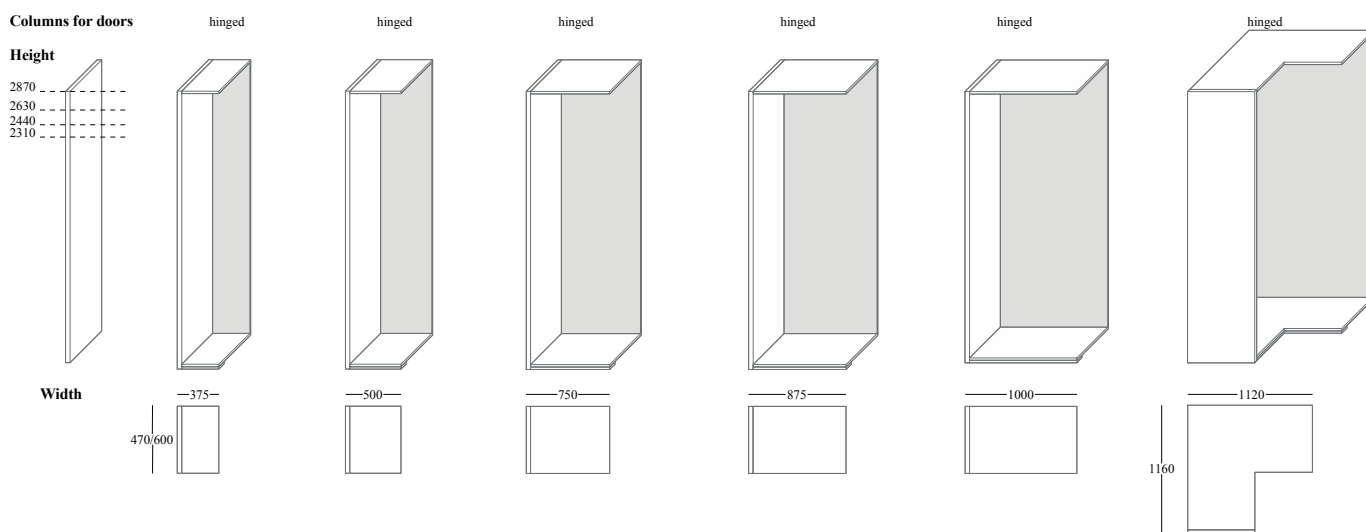
design Pietro Arosio

External sides: mat lacquered in our selected colours, mat by sample, veneer wengè, black walnut, smoked oak, grey oak, natural oak, ash stained beige/grey and eucalyptus

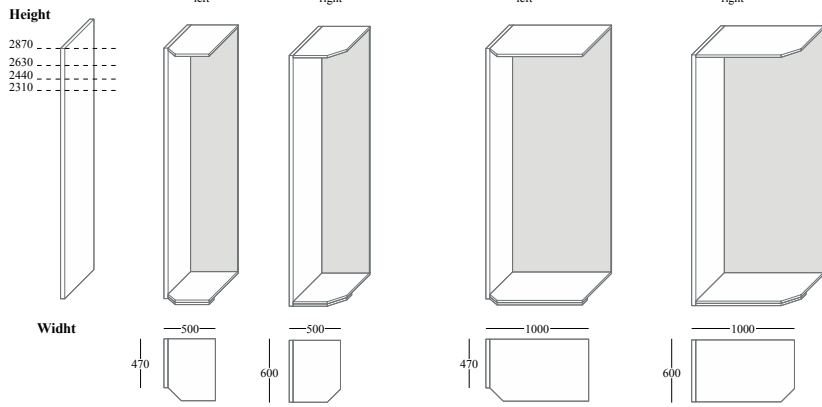
Internal finish: mat lacquered in our selected colours, mat by sample, veneer wengè, black walnut, dark walnut, smoked oak, grey oak, natural oak, ash stained beige/grey and eucalyptus

It is possible to cover the sides, the backpanels and the internal fitting with hard leather, regenerated leather, cristal leather or nabuk

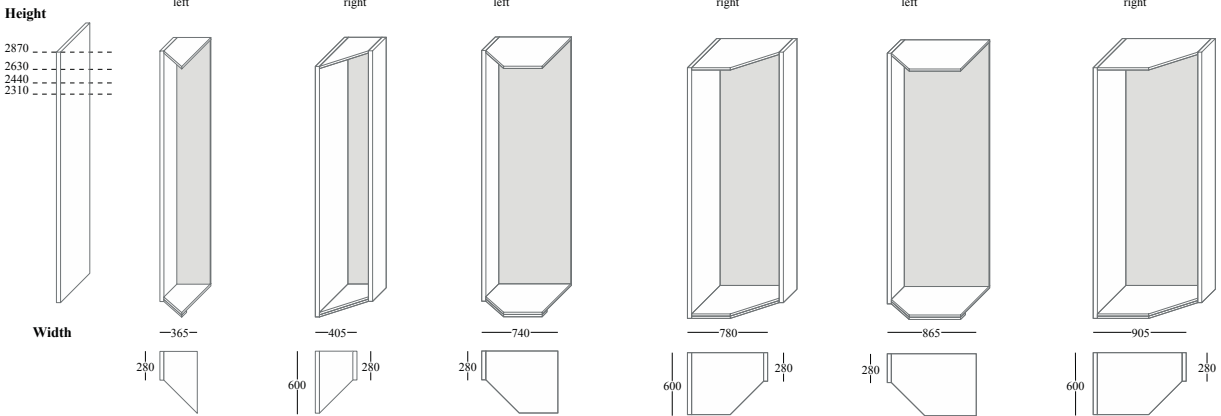
Dimensions



Chamfered columns



Chamfered element



Columns for sliding doors

